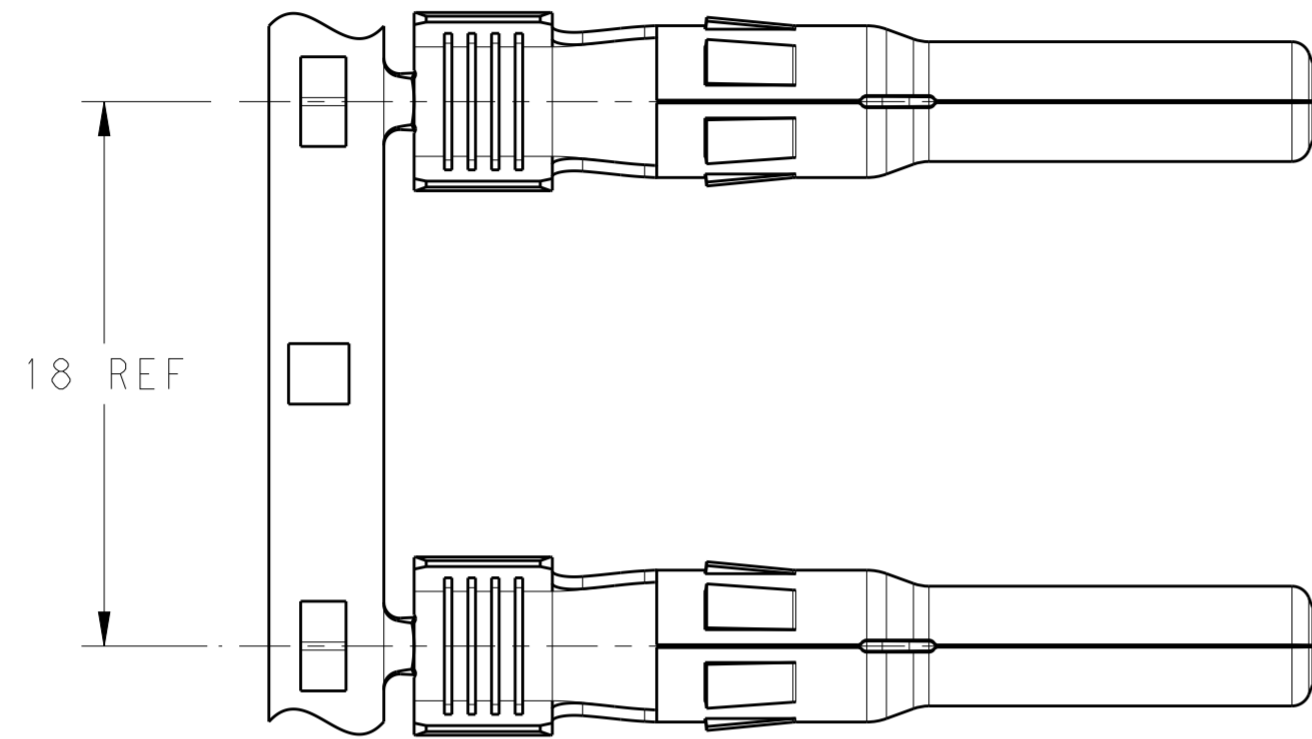
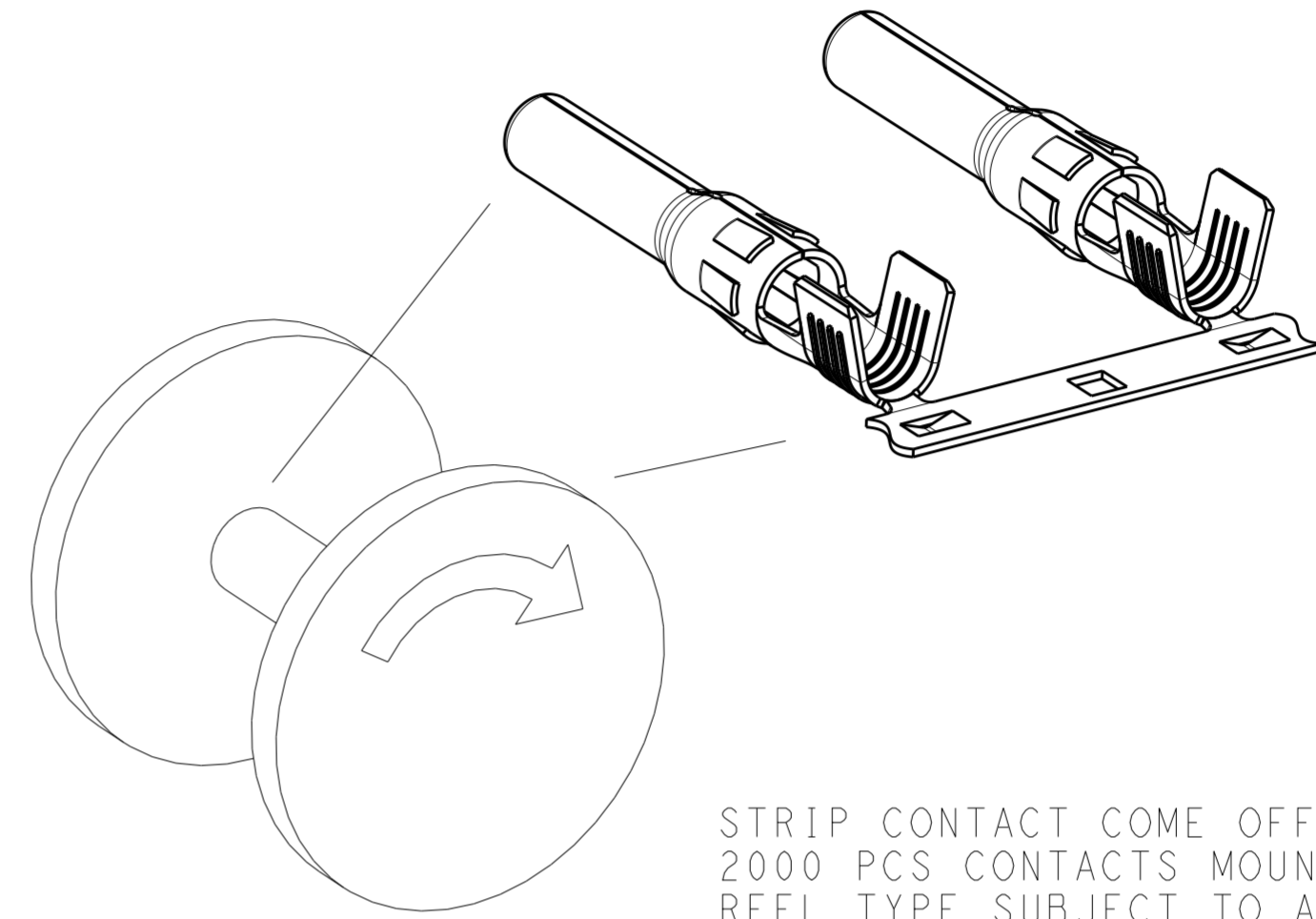


THIS DRAWING IS UNPUBLISHED. RELEASED FOR PUBLICATION 20  
 © COPYRIGHT 20 TE CONNECTIVITY ALL RIGHTS RESERVED.

| LOC | DIST | REVISIONS   |               |           |       |
|-----|------|-------------|---------------|-----------|-------|
| P   | LTR  | DESCRIPTION | DATE          | DWN       | APVD  |
| -   | -    | A           | RELEASED      | 10SEP2012 | CW PY |
|     |      | A1          | ECR-12-016601 | 18OCT2012 | CW PY |

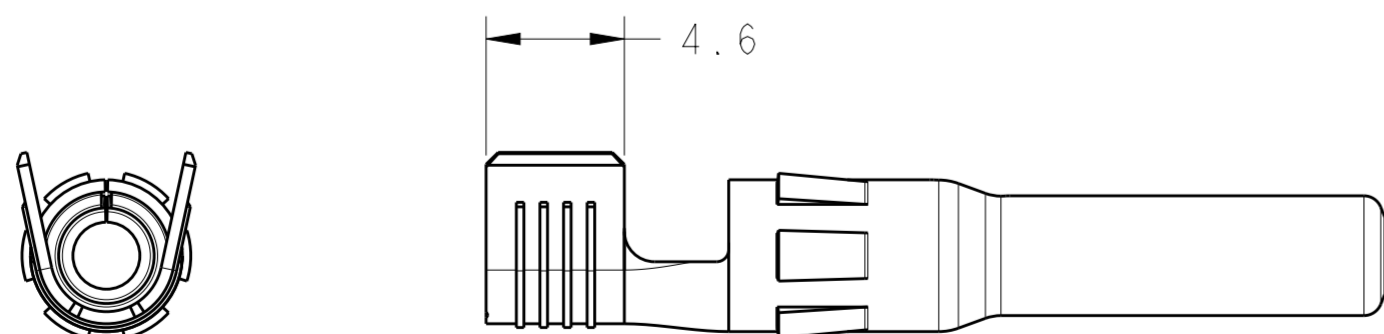
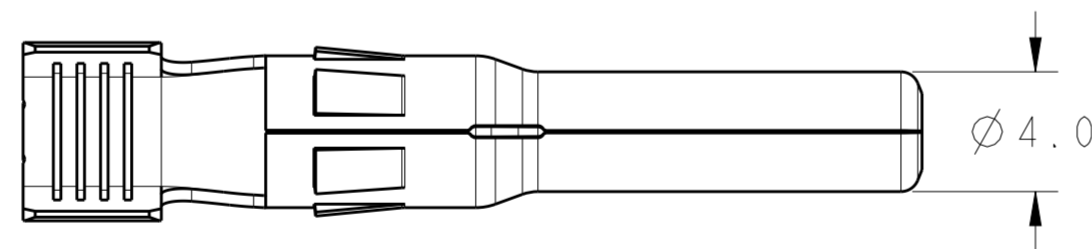


STRIP  
-2 AS SHOWN



STRIP CONTACT COME OFF TO ASSEMBLY  
 2000 PCS CONTACTS MOUNTED REEL  
 REEL TYPE SUBJECT TO ALTERNATION

- 1. MATERIAL: COPPER ALLOY, TIN PLATED
- 2. USED FOR SOLAR CABLE: 4mm<sup>2</sup>/12AWG, 6mm<sup>2</sup>/10AWG



LOOSE PIECE  
-3 AS SHOWN

|              |             |              |
|--------------|-------------|--------------|
| LOOSE PIECE  | 1971857-4   | 100          |
| LOOSE PIECE  | 1971857-3   | 1000         |
| STRIP        | 1971857-2   | 2000         |
| CONTACT TYPE | PART NUMBER | PACKING UNIT |
| FOR ORDER    |             |              |

| DIMENSIONS: |  | TOLERANCES UNLESS OTHERWISE SPECIFIED: |      | MATERIAL     |  | FINISH |  | APPROVALS |           | PRODUCT SPEC |  | APPLICATION SPEC |  | WEIGHT |  | SCALE |  | SHEET |  | REV |  |
|-------------|--|--|------|--------------|--|--------|--|-----------|-----------|--------------|--|------------------|--|--------|--|-------|--|-------|--|-----|--|
| mm          |  | 0 PLC                                  | ±0.5 | COPPER ALLOY |  | TIN    |  | DWN       | 09AUG2012 | 108-106078   |  | 114-106078       |  | -      |  | A2    |  | 1     |  | A1  |  |
|             |  | 1 PLC                                  | ±0.3 |              |  |        |  | CHK       | 09AUG2012 |              |  |                  |  |        |  |       |  |       |  |     |  |
|             |  | 2 PLC                                  | ±    |              |  |        |  | APVD      | 09AUG2012 |              |  |                  |  |        |  |       |  |       |  |     |  |
|             |  | 3 PLC                                  | ±    |              |  |        |  |           |           |              |  |                  |  |        |  |       |  |       |  |     |  |
|             |  | 4 PLC                                  | ±    |              |  |        |  |           |           |              |  |                  |  |        |  |       |  |       |  |     |  |
|             |  | ANGLES                                 | ±    |              |  |        |  |           |           |              |  |                  |  |        |  |       |  |       |  |     |  |
|             |  | FINISH                                 |      |              |  |        |  |           |           |              |  |                  |  |        |  |       |  |       |  |     |  |



PIN CONTACT  
SOLARLOK PV4 CONNECTOR

SIZE: A2 CAGE CODE: 00779 DRAWING NO: C-1971857 RESTRICTED TO: -

SCALE: 4:1 SHEET 1 OF 1 REV A1

# Mouser Electronics

Authorized Distributor

Click to View Pricing, Inventory, Delivery & Lifecycle Information:

[TE Connectivity:](#)

[1971857-3](#)